

XR310
XR510
XR710

lbs/ft

XR310

XR510

XR710



LEADER **IN** INNOVATION

XR - FASSI LOADING CRANES
more info>>www.fassi.com





HEXAGONAL TELESCOPIC BOOMS Strong and light

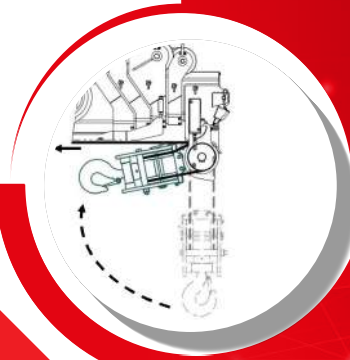
1 Fassi manufactures its telescopic booms with unique hexagonal sections made in high-strength steel. The section of the telescopic booms is made from a single sheet of steel that is shaped to keep the weight low while at the same time obtaining significant lifting capacity. Boom extension is fluid thanks to a special valve that also leads to reduced friction between the telescopic extensions.

WORKING LIGHTS

2 Low-consumption, high-luminosity adjustable-direction LED working lights allowing for safe operation even in low-light conditions.

WINCH COMBINED WITH A PULLEY SYSTEM

3 A high-capacity winch installed inside the column and driven by an orbital motor. The winch guarantees repetitive lifting via a hook and steel cable and is equipped with an automatic device that controls and limits the winding and unwinding of the cable (hoist limit), guaranteeing the utmost operational safety.



* AUTOMATIC PULLEY FOLDING SYSTEM

The automatic pulley folding system at the tip of the crane is activated by rewinding the hoist, simplifying transportation operations and reducing the bulk of the pulley under the inner boom.

STANDARD CHARACTERISTICS AND EQUIPMENT

HYDRAULIC SLEW RING

4 The hydraulically operated slew ring guarantees constant crane rotation thanks to a small, compact slew ring that allows for more fluid performance when the machine manoeuvres and rotates over uneven terrain and in challenging areas with inclines of up to 5 degrees.

OPERATING LEVERS

5 The use of specific advanced control valves for the operating levers allows for optimal response when activated and extraordinarily precise control in all situations. The lever response speed can be adjusted according to requirements.

FX200 LOAD CONTROL

6 The electronic load condition control unit provides the operator with information to allow an assessment of the working conditions to subject the crane to, and sends a block command in the event of excessive overload.

AN EFFICIENT STABILISATION SYSTEM

7 A hydraulically extending stabiliser system that allows operators to choose between fixed and manual rotation, guaranteeing versatility and operating efficiency effectively adapted to the needs of the operator.

GENEROUS OIL TANK

8 A steel tank with a capacity of approximately 34,3 gallons for the XR710 and 26,4 gallons for the XR310, resistant to impact and to the corrosive effects of the elements, even in the most challenging of environmental conditions.

** COLUMN-MOUNTED CONTROL SEAT

An ergonomic seat in a safe position allows the operator to have full control during manoeuvres and lifting operations. The seat is fully adjustable to provide the most comfortable working position for the operator and is also available with heating.



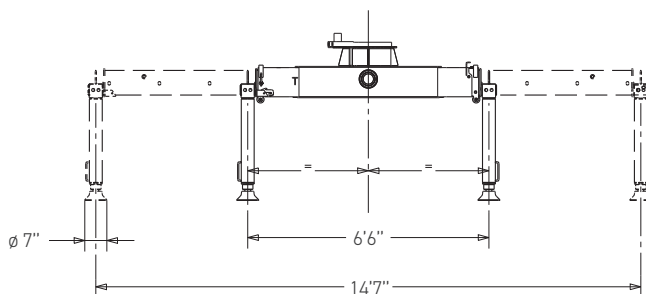
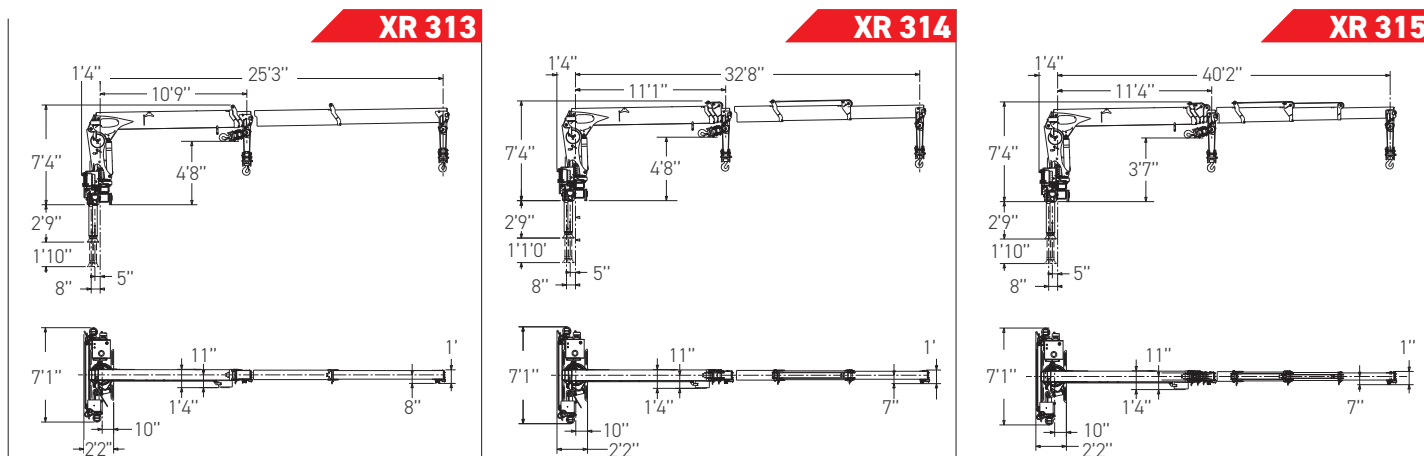
*the automatic tip-mounted pulley folding system is available for the XR310 model only
 **the column-mounted control seat is available for the XR710 model only

XR 310 - FASSI LOADING CRANES

Technical specification

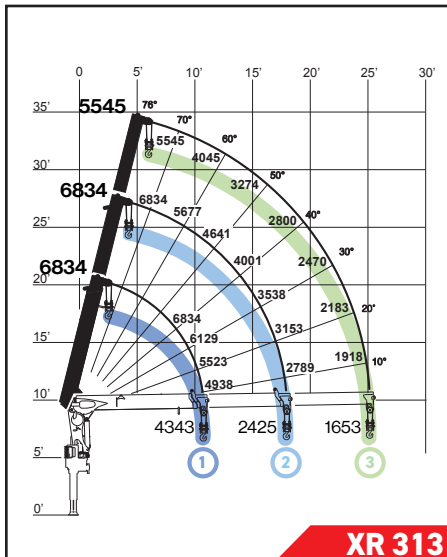


Overall Dimensions

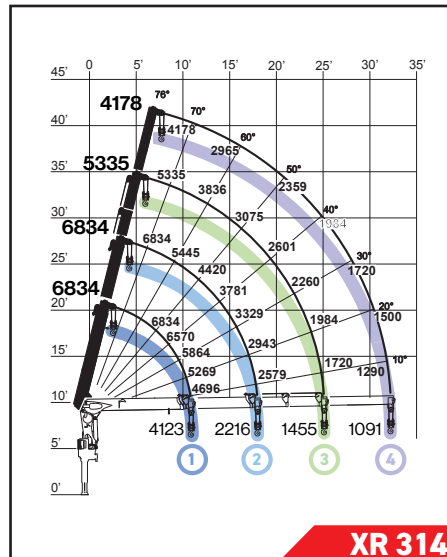


	XR313	XR314	XR315
Lifting capacity	6834 lbs at 8 ft 4 in	6834 lbs at 8 ft 2 in	6834 lbs at 8 ft
Hydraulic outreach	retracted 10 ft 9 in ~ extended 25 ft 2 in	retracted 11 ft ~ extended 32 ft 8 in	retracted 11 ft 4 in ~ extended 40 ft 2 in
Telescopic extension speed	extension 14 ft 5 in / 20 sec	extension 21 ft 8 in / 20 sec	extension 28 ft 10 in / 20 sec
Telescopic boom retraction speed	retraction 14 ft 5 in / 16 sec	retraction 21 ft 8 in / 16 sec	retraction 28 ft 10 in / 16 sec
Lifting speed	1 to 76° = 8 sec	1 to 76° = 8 sec	1 to 76° = 8 sec
Angle of rotation	360° (continuous)	360° (continuous)	360° (continuous)
Rotation speed	7,2°/ sec	7,2°/ sec	7,2°/ sec
Working pressure	3118 psi	3118 psi	3118 psi
Pump capacity	10,6 gal/min	10,6 gal/min	10,6 gal/min
Direct lifting winch	2248 lbf	2248 lbf	2248 lbf
Winch lifting speed	222 feet per minute	222 feet per minute	222 feet per minute
Extension of stabilisers	min 6 ft 6 in ~ max 14 ft 7 in	min 6 ft 6 in ~ max 14 ft 7 in	min 6 ft 6 in ~ max 14 ft 7 in
Oil tank capacity	26,4 gallons with level indicator	26,4 gallons with level indicator	26,4 gallons with level indicator
Weight of crane with stabilisers	3274 lbs	3483 lbs	3638 lbs
Safety device	FX200 load limiter, visual indication of lifting capacity at 90% and 100%, acoustic warning device, overload alarm, hydraulic safety valves, status valves and non-return valves, spirit level indicator		
ground-based controls			

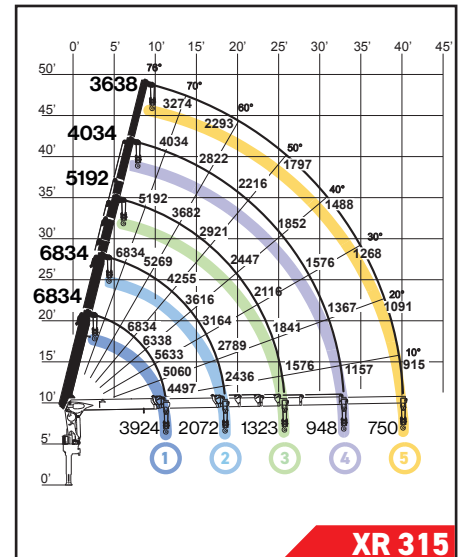
winch



n = 4 max 6834 lbs = Tmax 2248 lbs



n = 4 max 6834 lbs = Tmax 2248 lbs



n = 4 max 6834 lbs = Tmax 2248 lbs

XR 313	MAX	6'7"	8'2"	9'10"	11'6"	13'1"	14'9"	16'5"	18'1"	19'8"	21'4"	23'	26'3"	29'6"	32'10"	36'1"	39'4"	42'8"
①	6834 (2'6")	6834	6834	5864	4343 (10'10")													
②	6834 (4'3")	6834	6140	5324	4707	4211	3781	3351	2425 (18'1")									
③		5545 (6'1")	5545	4971	4387	3935	3571	3263	3009	2767	2557	2326	1653 (25'3")					

XR 314	MAX	6'7"	8'2"	9'10"	11'6"	13'1"	14'9"	16'5"	18'1"	19'8"	21'4"	23'	26'3"	29'6"	32'10"	36'1"	39'4"	42'8"
①	6834 (2'7")	6834	5765	4112														
②	6834 (4'3")	6834	5975	5159	4542	4045	3627	3208	2216 (18'3")									
③		5335 (6'1")	5335	4795	4211	3759	3395	3086	2822	2590	2381	2161	1455 (25'5")					
④			4178 (7'10")	4178	4057	3616	3263	2976	2734	2524	2348	2183	1896	1631	1091 (32'8")			

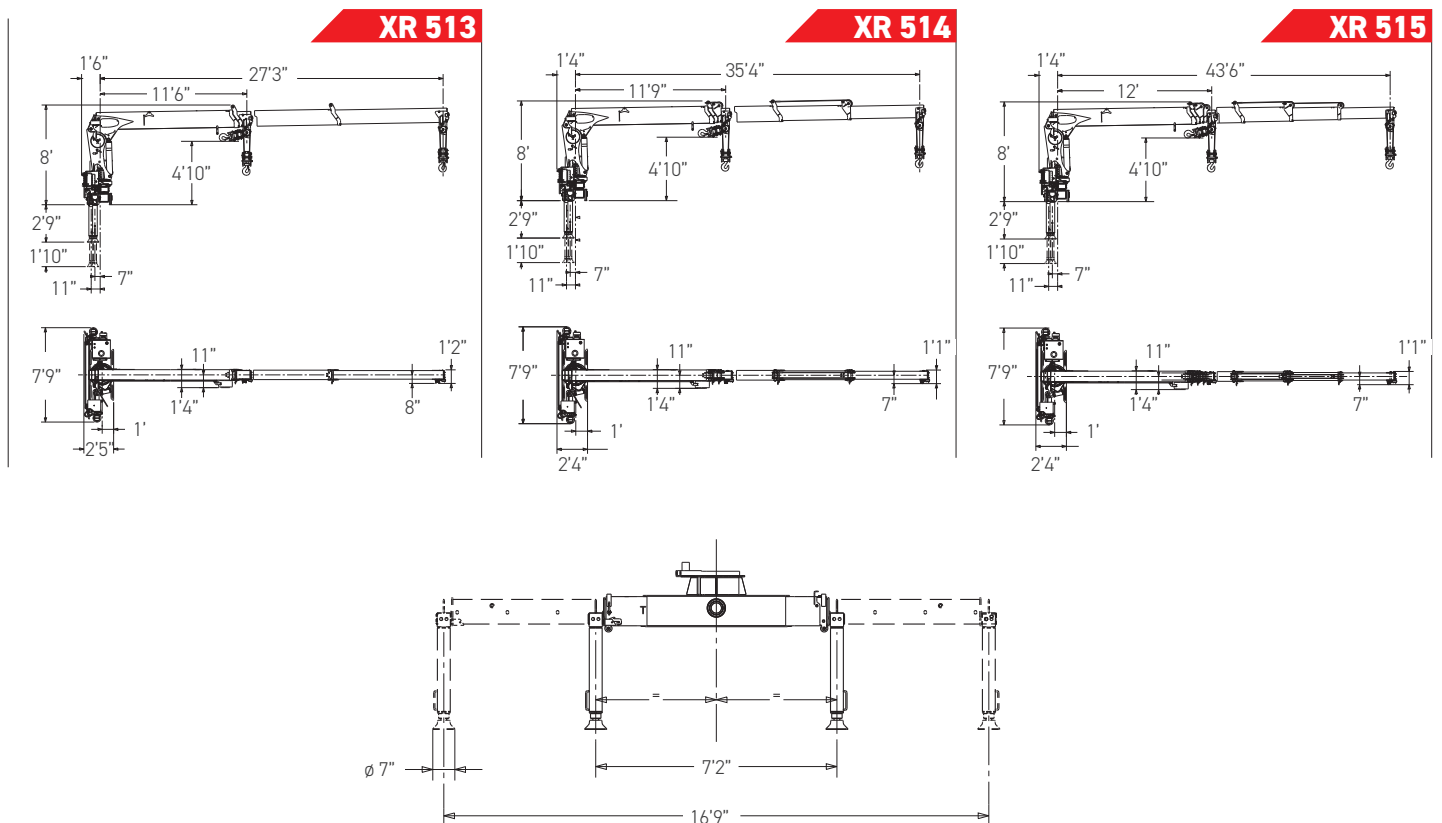
XR 315	MAX	6'7"	8'2"	9'10"	11'6"	13'1"	14'9"	16'5"	18'1"	19'8"	21'4"	23'	26'3"	29'6"	32'10"	36'1"	39'4"	42'8"
①	6834 (2'7")	6834	6724	5699	3924 (11'4")													
②	6834 (4'5")	6834	5864	5038	4431	3935	3516	3109	2072 (18'6")									
③		5192 (6'3")	5192	4674	4090	3638	3274	2965	2712	2480	2260	2050	1323 (25'9")					
④			4034 (7'10")	4034	3935	3494	3142	2844	2601	2403	2216	2061	1775	1510	948 (33')			
⑤				3638 (9'8")	3638	3417	3064	2789	2546	2348	2183	2028	1775	1565	1378	1202	959	750 (40'2")

XR 510 - FASSI LOADING CRANES

Technical specification

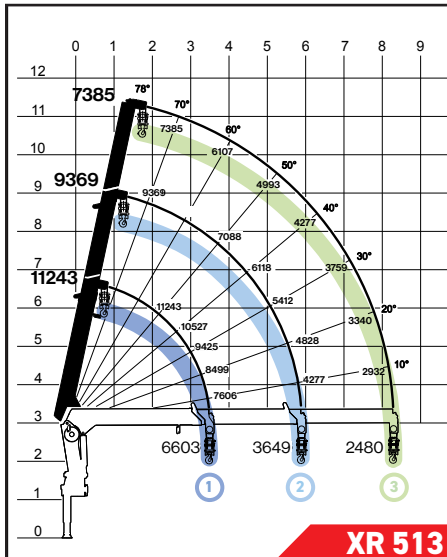


Overall Dimensions

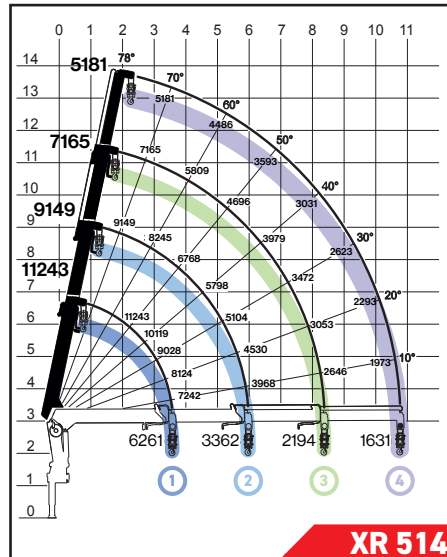


	XR513	XR514	XR515
Lifting capacity	11243 lbs at 8'2"	11243 lbs at 8'	11243 lbs at 7'10"
Hydraulic outreach	retracted 11'6" ~ extended 27'3"	retracted 11'9" ~ extended 35'4"	retracted 12' ~ extended 43'6"
Telescopic extension speed	extension 15'9" / 20 sec	extension 23'7" / 20 sec	extension 31'6" / 20 sec
Telescopic boom retraction speed	retraction 15'9" / 23 sec	retraction 23'7" / 23 sec	retraction 31'6" / 20 sec
Lifting speed	1 to 78° = 10 sec	1 to 78° = 10 sec	1 to 78° = 10 sec
Angle of rotation	360° (continuous)	360° (continuous)	360° (continuous)
Rotation speed	7,2° / sec	7,2° / sec	7,2° / sec
Working pressure	3191 psi	3191 psi	3191 psi
Pump capacity	15,9 gal/min	15,9 gal/min	15,9 gal/min
Direct lifting winch	3528 lbf	3528 lbf	3528 lbf
Winch lifting speed	151 feet per minute (single pull)	151 feet per minute (single pull)	151 feet per minute (single pull)
Extension of stabilisers	min 7'2" ~ max 16'9"	min 7'2" ~ max 16'9"	min 7'2" ~ max 16'9"
Oil tank capacity	34,3 gal with level indicator	34,3 gal with level indicator	34,3 gal with level indicator
Weight of crane with stabilisers	4595 lbs	4905 lbs	5070 lbs
Safety device	FX200 load limiter, visual indication of lifting capacity at 90% and 100%, acoustic warning device, overload alarm, hydraulic safety valves, status valves and non-return valves, spirit level indicator		
ground-based controls			

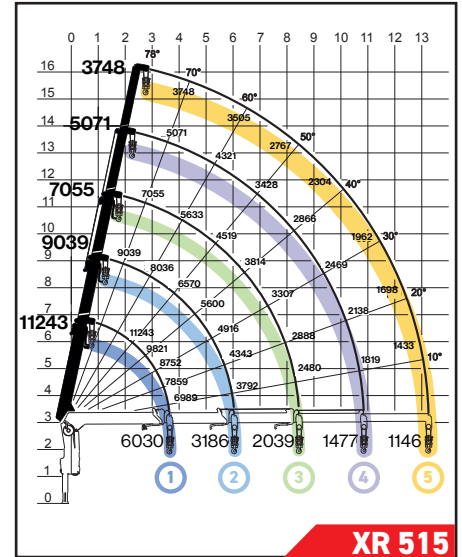
winch



n = 4 max 11243 lbs = Tmax 3528 lbf



n = 4 max 11243 lbs = Tmax 3528 lbf



n = 4 max 11243 lbs = Tmax 3528 lbf

XR 513	MAX	6'7"	8'2"	9'10"	11'6"	13'1"	14'9"	16'5"	18'1"	19'8"	21'4"	23'	24'7"	26'3"	29'6"	32'10"	36'1"	39'4"	42'8"
①	11243 (2'6")	11243	11243	9711	6603 (11'6")														
②	9370 (4'1")	9370	9370	8576	7639	6878	6217	5611	4960	3649 (19'4")									
③	7385 (5'11")	7385	7385	7044	6349	5787	5313	4916	4553	4222	3913	3594	2480 (27'3")						
XR 514	MAX	6'7"	8'2"	9'10"	11'6"	13'1"	14'9"	16'5"	18'1"	19'8"	21'4"	23'	24'7"	26'3"	29'6"	32'10"	36'1"	39'4"	42'8"
①	11243 (2'6")	11243	11111	9513	6030 (11'8")														
②	9149 (4'3")	9149	9149	8333	7397	6625	5975	5379	4740	3362									
③	7165 (5'11")	7165	7165	6801	6096	5523	5060	4652	4299	3968	3373	3351	2976	2194 (27'5")					
④	5181 (7'7")	5181	5181	5181	5181	5181	4817	4442	4123	3847	3594	3362	3153	2778	2381	1631 (35'3")			
XR 515	MAX	6'7"	8'2"	9'10"	11'6"	13'1"	14'9"	16'5"	18'1"	19'8"	21'4"	23'	24'7"	26'3"	29'6"	32'10"	36'1"	39'4"	42'8"
①	11243 (2'7")	11243	10990	9425	6030 (12')														
②	9039 (4'3")	9039	9039	8201	7264	6504	5842	5269	4674	3186 (19'10")									
③	7055 (5'11")	7055	7055	6693	5963	5390	4927	4519	4156	3836	3538	3230	2877	2039 (27'9")					
④	5071 (7'9")	5071	5071	5071	5071	5071	4685	4310	3979	3704	3450	3230	3020	2635	2249	1477 (35'7")			
⑤	3748 (9'4")	3748	3748	3748	3748	3748	3748	3748	3748	3748	3594	3362	3153	2985	2635	2359	2105	1852	1146 (43'6")

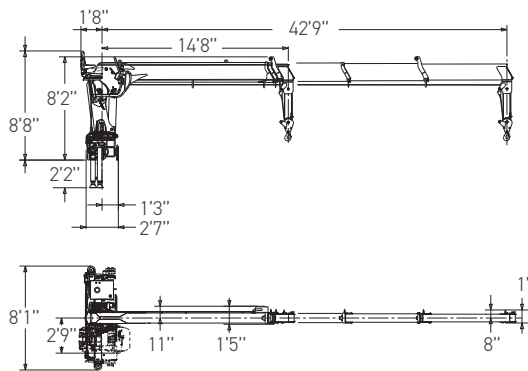
XR 710 - FASSI LOADING CRANES

Technical specification

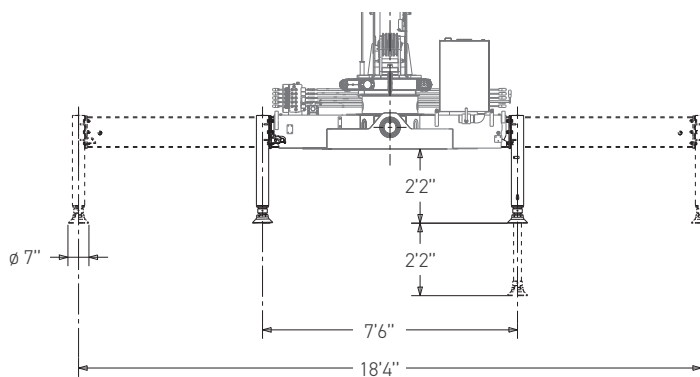
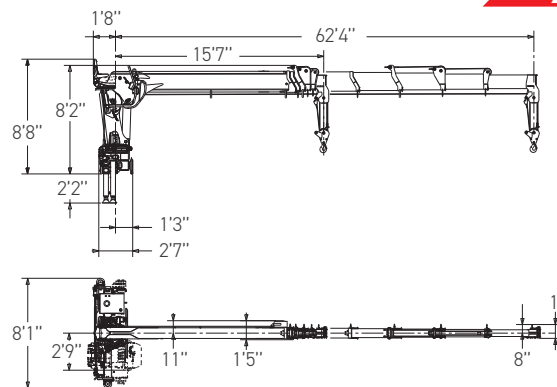


Overall Dimensions

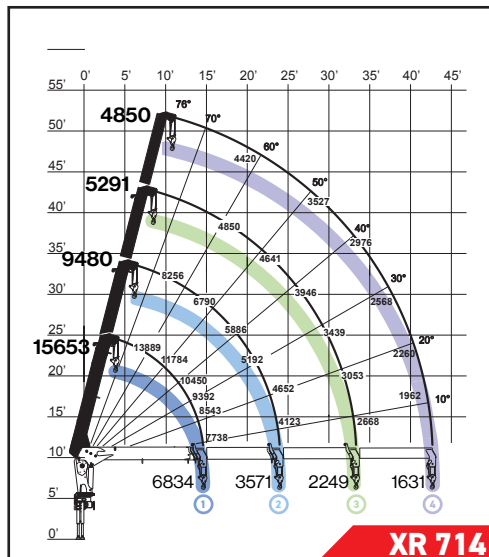
XR 714



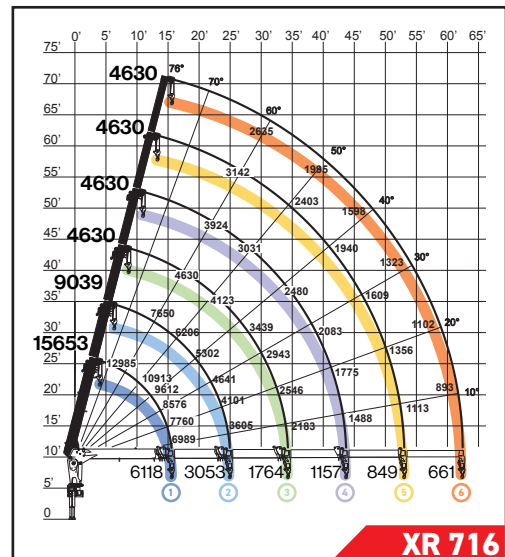
XR 716



	XR714	XR716
Lifting capacity	15653 lbs at 5 ft 11 in	15653 lbs at 5 ft 11 in
Hydraulic outreach	retracted 14 ft 8 in ~ extended 42 ft 8 in	retracted 15 ft 7 in ~ extended 62 ft 4 in
Telescopic extension speed	extension 28 ft 1 in / 35 sec	extension 46 ft 9 in / 32 sec
Telescopic boom retraction speed	retraction 28 ft 1 in / 57 sec	retraction 46 ft 9 in / 45 sec
Lifting speed	1 to 76° = 14 sec	1 to 76° = 14 sec
Angle of rotation	360° (continuous)	360° (continuous)
Rotation speed	6,5°/ sec	6,5°/ sec
Working pressure	2756 psi	2756 psi
Pump capacity	15,9 gal/min	15,9 gal/min
Direct lifting winch	2646 lbf	2646 lbf
Winch lifting speed	0,34 sec per foot	0,34 sec per foot
Extension of stabilisers	min 7 ft 6 in ~ max 18 ft 4 in	min 7 ft 6 in ~ max 18 ft 4 in
Oil tank capacity	34,3 gallons with level indicator	34,3 gallons with level indicator
Weight of crane with stabilisers	top seat 6371 lbs ~ ground-based controls 6283 lbs	top seat 6812 lbs ~ ground-based controls 6724 lbs
Safety device	FX200 load limiter, visual indication of lifting capacity at 90% and 100%, acoustic warning device, overload alarm, hydraulic safety valves, status valves and non-return valves, spirit level indicator	
Column-mounted control seat or ground-based controls		



n = 4 max 10472 lbs n = 6 max 15653 lbs = Tmax 2618 lbs



n = 4 max 10472 lbs n = 6 max 15653 lbs = Tmax 2618 lbs

XR 714	MAX	6'7"	8'2"	9'10"	11'6"	13'1"	14'9"	16'5"	18'1"	19'8"	21'4"	23'	26'3"	29'6"	32'10"	36'1"	39'4"	42'8"	45'11"	49'3"	52'6"	59'1"	62'4"	
①	15653 (6'3")	13889	13272	11729	9855	9292	6834 (14'7")																	
②		9480 (6'3")	9480	9480	8741	7871	7165	6581	6074	5600	4586	3571 (23'11")												
③			5291 (8'6")	5291	5291	5291	5291	5291	5071	4420	3891	3395	2249 (33'4")											
④				4850 (10'10")	4850	4850	4850	4850	4850	4828	4200	3726	3329	2998	2690	2370	1631							

XR 716	MAX	6'7"	8'2"	9'10"	11'6"	13'1"	14'9"	16'5"	18'1"	19'8"	21'4"	23'	26'3"	29'6"	32'10"	36'1"	39'4"	42'8"	45'11"	49'3"	52'6"	59'1"	62'4"	
①	15653 (6'3")	15002	12831	11288	10086	9006	7837	6118 (15'7")																
②		9039	9039	9039	8344	7474	6768	6184	5677	5225	4321	3053 (24'11")												
③			4630 (8'8")	4630	4630	4630	4630	4630	4630	4630	4012	3483	3009	2469	1775 (34'3")									
④				4630 (10'8")	4630	4630	4630	4630	4630	4398	3781	3296	2899	2568	2271	1962	1576	1157 (43'8")						
⑤					4630	4630	4630	4630	4299	3682	3219	2833	2524	2271	2039	1830	1631	1411	849 (53')					
⑥						4630 (15'5")	4630	4630	4266	3649	3186	2822	2513	2271	2050	1863	1698	1543	1400	1257	1080	661		

Lifting Tomorrow



LEADER IN INNOVATION



FASSI GRU S.p.A.
Via Roma, 110
24021 Albino (Bergamo) ITALY
Tel- +39 035 776400
Fax +39 035 755020
www.fassi.com
fassigr@fassigr.com

COMPANY WITH
MANAGEMENT SYSTEM
CERTIFIED BY DNV GL
= ISO 9001 =
= ISO 14001 =