

XR310
XR510
XR710

XR310

XR510

XR710



LEADER **IN** INNOVATION

XR - FASSI LOADING CRANES
more info>>www.fassi.com





HEXAGONAL TELESCOPIC BOOMS Strong and light

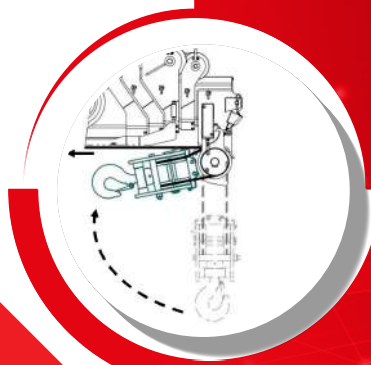
1 Fassi manufactures its telescopic booms with unique hexagonal sections made in high-strength steel. The section of the telescopic booms is made from a single sheet of steel that is shaped to keep the weight low while at the same time obtaining significant lifting capacity. Boom extension is fluid thanks to a special valve that also leads to reduced friction between the telescopic extensions.

WORKING LIGHTS

2 Low-consumption, high-luminosity adjustable-direction LED working lights allowing for safe operation even in low-light conditions.

WINCH COMBINED WITH A PULLEY SYSTEM

3 A high-capacity winch installed inside the column and driven by an orbital motor. The winch guarantees repetitive lifting via a hook and steel cable and is equipped with an automatic device that controls and limits the winding and unwinding of the cable (hoist limit), guaranteeing the utmost operational safety.



*** AUTOMATIC PULLEY FOLDING SYSTEM**

The automatic pulley folding system at the tip of the crane is activated by rewinding the hoist, simplifying transportation operations and reducing the bulk of the pulley under the inner boom.

STANDARD CHARACTERISTICS AND EQUIPMENT

HYDRAULIC SLEW RING

4 The hydraulically operated slew ring guarantees constant crane rotation thanks to a small, compact slew ring that allows for more fluid performance when the machine manoeuvres and rotates over uneven terrain and in challenging areas with inclines of up to 5 degrees.

OPERATING LEVERS

5 The use of specific advanced control valves for the operating levers allows for optimal response when activated and extraordinarily precise control in all situations. The lever response speed can be adjusted according to requirements.

FX200 LOAD CONTROL

6 The electronic load condition control unit provides the operator with information to allow an assessment of the working conditions to subject the crane to, and sends a block command in the event of excessive overload.

AN EFFICIENT STABILISATION SYSTEM

7 A hydraulically extending stabiliser system that allows operators to choose between fixed and manual rotation, guaranteeing versatility and operating efficiency effectively adapted to the needs of the operator.

GENEROUS OIL TANK

8 A steel tank with a capacity of approximately 130 litres for the XR710 and 100 litres for the XR310, resistant to impact and to the corrosive effects of the elements, even in the most challenging of environmental conditions.



**** COLUMN-MOUNTED CONTROL SEAT**

An ergonomic seat in a safe position allows the operator to have full control during manoeuvres and lifting operations. The seat is fully adjustable to provide the most comfortable working position for the operator and is also available with heating.

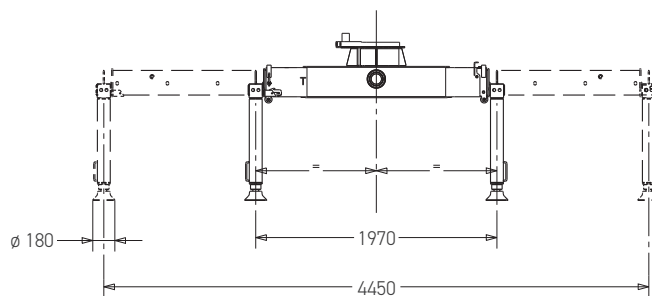
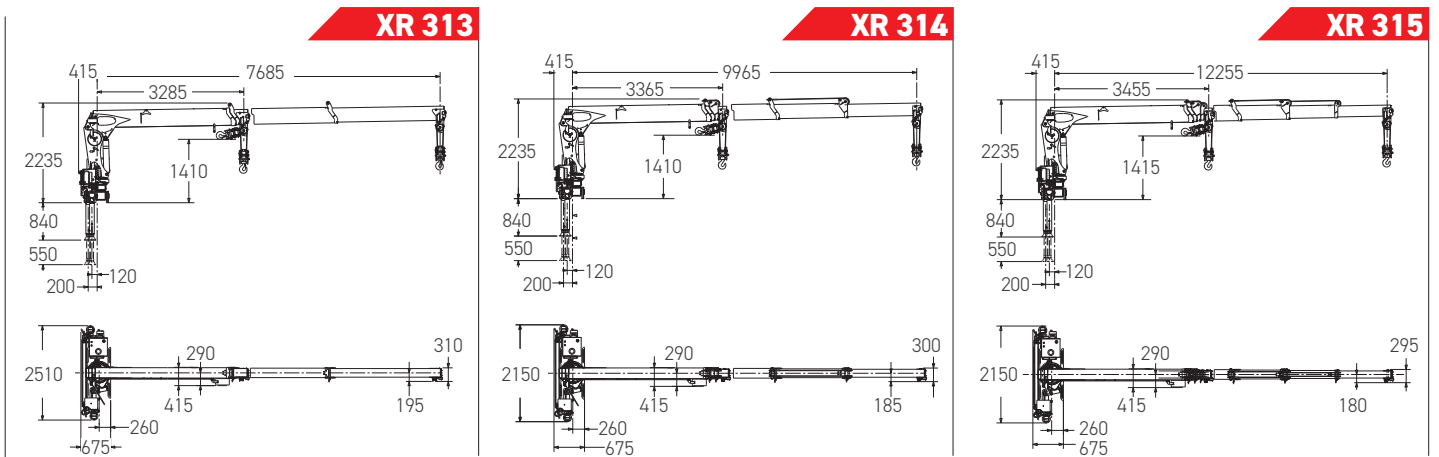
*the automatic tip-mounted pulley folding system is available for the XR310 model only
 **the column-mounted control seat is available for the XR710 model only

XR 310 - FASSI LOADING CRANES

Technical specification

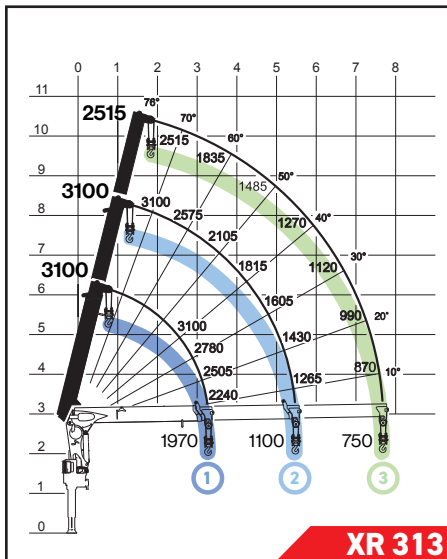


Overall Dimensions

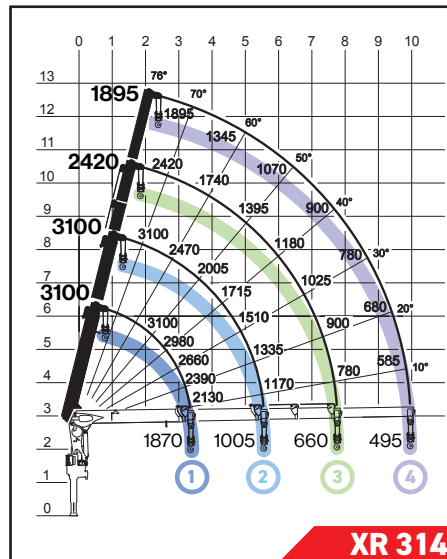


winch

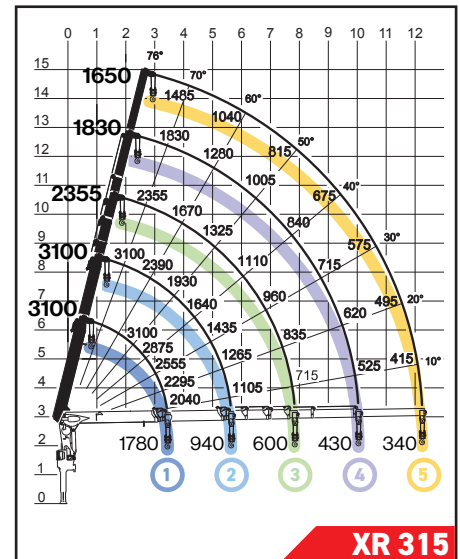
	XR313	XR314	XR315
Lifting capacity	3100 kg at 2,55 m	3.100 kg at 2,50 m	3.100 kg at 2,45 m
Hydraulic outreach	retracted 3,28 m ~ extended 7,68 m	retracted 3,36 m ~ extended 9,96 m	retracted 3,45 m ~ extended 12,25 m
Telescopic extension speed	extension 4,40 m / 20 sec	extension 6,60 m / 20 sec	extension 8,80 m / 20 sec
Telescopic boom retraction speed	retraction 4,40 m / 16 sec	retraction 6,60 m / 16 sec	retraction 8,80 m / 16 sec
Lifting speed	1 to 76° = 8 sec	1 to 76° = 8 sec	1 to 76° = 8 sec
Angle of rotation	360° (continuous)	360° (continuous)	360° (continuous)
Rotation speed	7,2° / sec	7,2° / sec	7,2° / sec
Working pressure	21,5 MPa	21,5 MPa	21,5 MPa
Pump capacity	40 l/min	40 l/min	40 l/min
Direct lifting winch	1.000 daN	1.000 daN	1.000 daN
Winch lifting speed	67,7 meters per minute	67,7 meters per minute	67,7 meters per minute
Extension of stabilisers	min 1970 mm ~ max 4450 mm	min 1970 mm ~ max 4450 mm	min 1970 mm ~ max 4450 mm
Oil tank capacity	100 l with level indicator	100 l with level indicator	100 l with level indicator
Weight of crane with stabilisers	1485 kg	1580 kg	1650 kg
Safety device	FX200 load limiter, visual indication of lifting capacity at 90% and 100%, acoustic warning device, overload alarm, hydraulic safety valves, status valves and non-return valves, spirit level indicator		
ground-based controls			



n = 4 max 3100 kg = Tmax 1000 daN



n = 4 max 3100 kg = Tmax 1000 daN



n = 4 max 3100 kg = Tmax 1000 daN

XR 313	MAX	2	2,5	3	3,5	4	4,5	5	5,5	6	6,5	7	8	9	10	11	12	13
①	3100 (0,75)	3100	3100	2660	1970 (3,30)													
②	3100 (1,30)	3100	2785	2415	2135	1910	1715	1520	1100 (5,50)									
③		2515 (1,85)	2515	2255	1990	1785	1620	1480	1365	1255	1160	1055	750 (7,70)					

XR 314	MAX	2	2,5	3	3,5	4	4,5	5	5,5	6	6,5	7	8	9	10	11	12	13
①	3100 (0,80)	3100	2615	1865 (3,35)														
②	3100 (1,30)	3100	2710	2340	2060	1835	1645	1455	1005 (5,55)									
③		2420 (1,85)	2420	2175	1910	1705	1540	1400	1280	1175	1080	980	660 (7,75)					
④			1895 (2,40)	1895	1840	1640	1480	1350	1240	1145	1065	990	860	740	495 (9,95)			

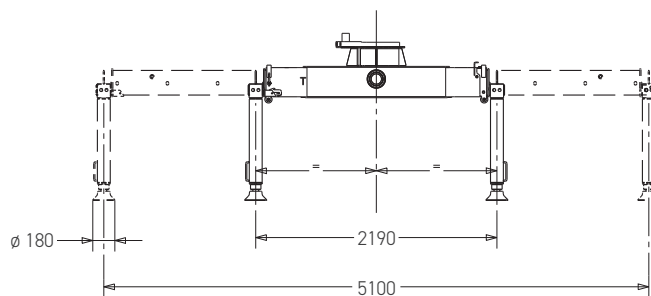
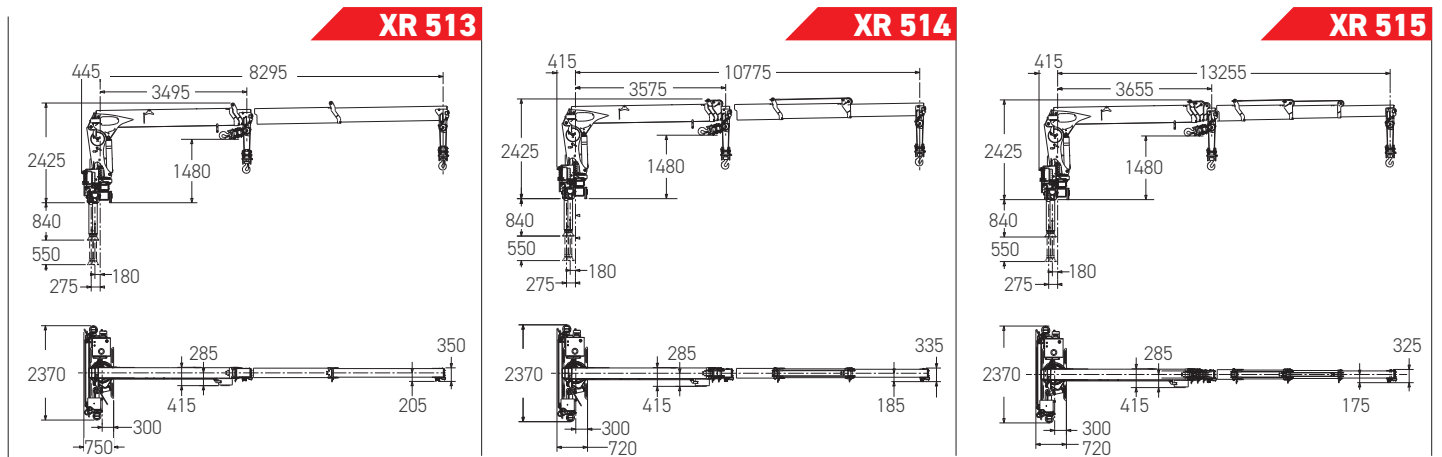
XR 315	MAX	2	2,5	3	3,5	4	4,5	5	5,5	6	6,5	7	8	9	10	11	12	13
①	3100 (0,80)	3100	3050	2585	1780 (3,45)													
②	3100 (1,35)	3100	2660	2285	2010	1785	1595	1410	940 (5,65)									
③		2355 (1,90)	2355	2120	1855	1650	1485	1345	1230	1125	1025	930	600 (7,85)					
④			1830 (2,40)	1830	1785	1585	1425	1290	1180	1090	1005	935	805	685	430 (10,05)			
⑤				1650 (2,95)	1650	1550	1390	1265	1155	1065	990	920	805	710	625	545	435	340 (12,25)

XR 510 - FASSI LOADING CRANES

Technical specification

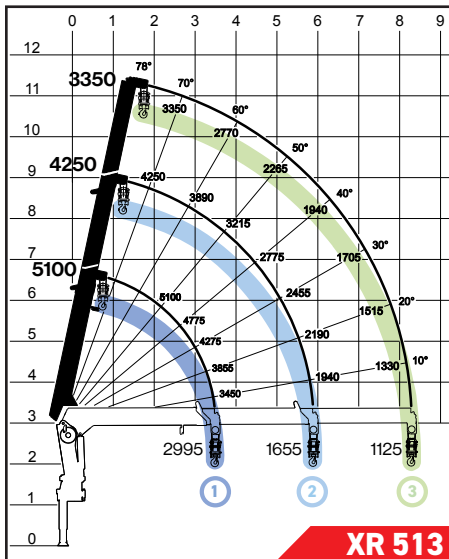


Overall Dimensions

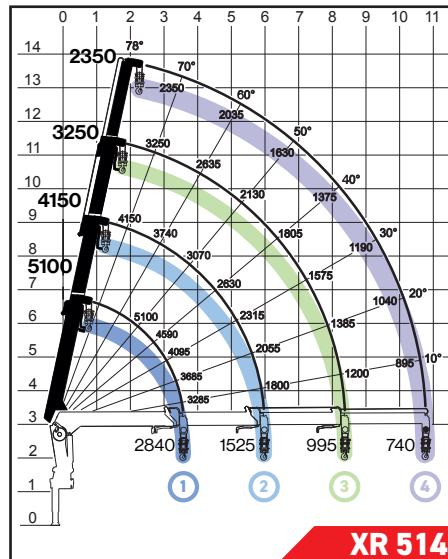


winch

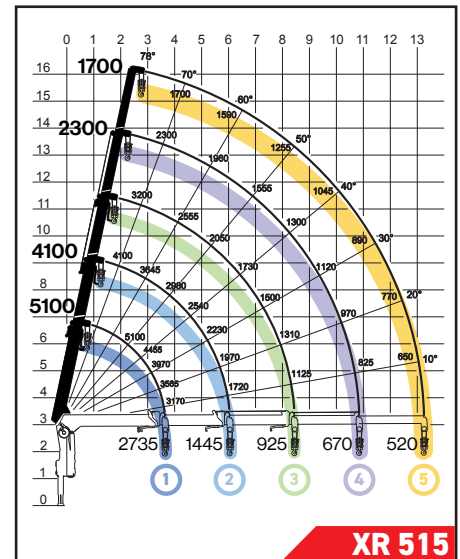
	XR513	XR514	XR515
Lifting capacity	5.100 kg at 2,50 m	5.100 kg at 2,45 m	5.100 kg at 2,40 m
Hydraulic outreach	retracted 3,50 m ~ extended 8,30 m	retracted 3,58 m ~ extended 10,78 m	retracted 3,66 m ~ extended 13,26 m
Telescopic extension speed	extension 4,8 m / 20 sec	extension 7,2 m / 20 sec	extension 9,6 m / 20 sec
Telescopic boom retraction speed	retraction 4,8 m / 23 sec	retraction 7,2 m / 23 sec	retraction 9,6 m / 23 sec
Lifting speed	1 to 78° = 10 sec	1 to 78° = 10 sec	1 to 78° = 10 sec
Angle of rotation	360° (continuous)	360° (continuous)	360° (continuous)
Rotation speed	7,2°/ sec	7,2°/ sec	7,2°/ sec
Working pressure	22.0 MPa	22.0 MPa	22.0 MPa
Pump capacity	60 l/m	60 l/m	60 l/m
Direct lifting winch	1.250 daN	1.250 daN	1.250 daN
Winch lifting speed	53 meters per minute (single pull)	53 meters per minute (single pull)	53 meters per minute (single pull)
Extension of stabilisers	min 2190 mm ~ max 5100 mm	min 2190 mm ~ max 5100 mm	min 2190 mm ~ max 5100 mm
Oil tank capacity	130 l with level indicator	130 l with level indicator	130 l with level indicator
Weight of crane with stabilisers	2085 kg	2225 kg	2300 kg
Safety device	FX200 load limiter, visual indication of lifting capacity at 90% and 100%, acoustic warning device, overload alarm, hydraulic safety valves, status valves and non-return valves, spirit level indicator		
ground-based controls			



n = 4 max 5100 kg =Tmax 1250 daN



n = 4 max 5100 kg =Tmax 1250 daN



n = 4 max 5100 kg =Tmax 1250 daN

XR 513	MAX	2	2,5	3	3,5	4	4,5	5	5,5	6	6,5	7	7,5	8	9	10	11	12	13
①	5100 (0,75)	5100	5100	4405	2995 (3,30)														
②	4250 (1,25)	4250	4250	3890	3465	3120	2820	2545	2250	1655 (5,90)									
③		3350 (1,85)	3350	3350	3195	2880	2625	2410	2230	2065	1915	1775	1630	1125 (8,93)					

XR 514	MAX	2	2,5	3	3,5	4	4,5	5	5,5	6	6,5	7	7,5	8	9	10	11	12	13
①	5100 (0,77)	5100	5040	4315	2735 (3,55)														
②	4150 (1,30)	4150	4150	3780	3355	3005	2710	2440	2150	1525 (5,95)									
③		3250 (1,80)	3250	3250	3085	2765	2505	2295	2110	1950	1800	1530	1520	1350	995 (8,35)				
④			2350 (2,30)	2350	2350	2350	2350	2185	2015	1870	1745	1630	1525	1430	1260	1080	740 (10,75)		

XR 515	MAX	2	2,5	3	3,5	4	4,5	5	5,5	6	6,5	7	7,5	8	9	10	11	12	13
①	5100 (0,80)	5100	4985	4275	2735 (3,65)														
②	4100 (1,30)	4100	4100	3720	3295	2950	2650	2390	2120	1445 (6,05)									
③		3200 (1,80)	3200	3200	3025	2705	2445	2235	2050	1885	1740	1605	1465	1305	925 (8,45)				
④			2300 (2,35)	2300	2300	2300	2300	2125	1955	1805	1680	1565	1465	1370	1195	1020	670 (10,85)		
⑤				1700 (2,85)	1700	1700	1700	1700	1700	1700	1630	1525	1430	1345	1195	1070	955	840	520 (13,25)

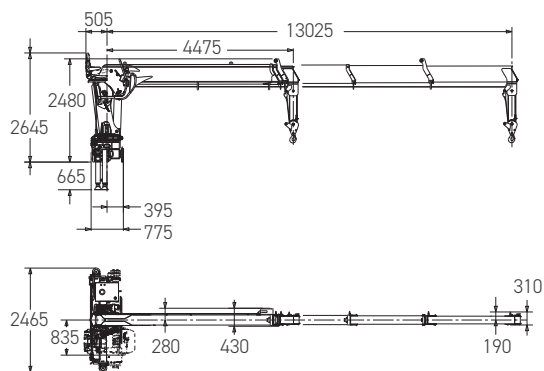
XR 710 - FASSI LOADING CRANES

Technical specification

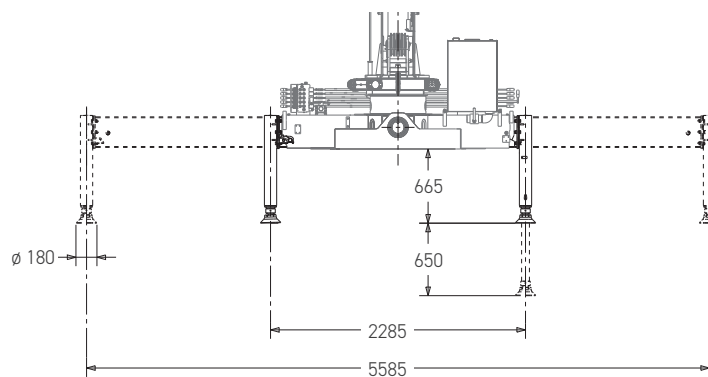
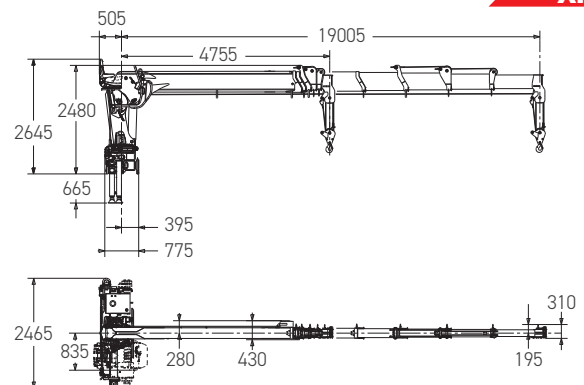


Overall Dimensions

XR 714

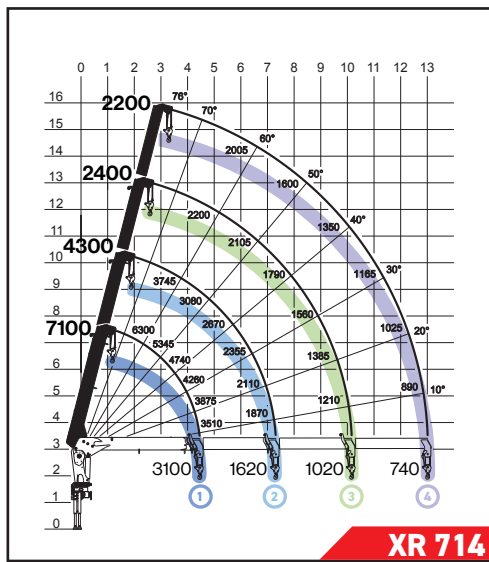


XR 716

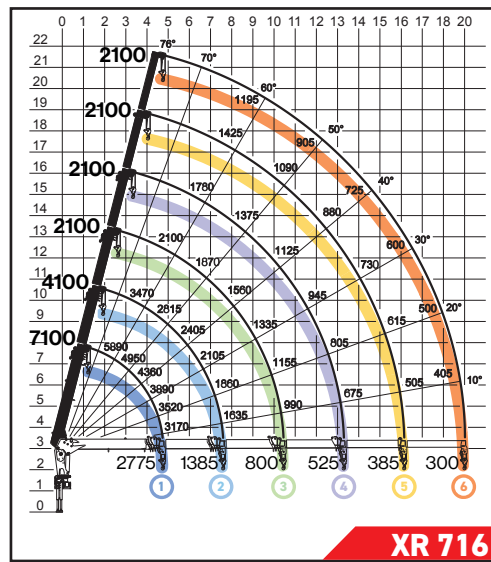


	XR714	XR716
Lifting capacity	7100 kg at 1,8 m	7100 kg at 1,8 m
Hydraulic outreach	retracted 4,47 m ~ extended 13 m	retracted 4,75 m ~ extended 19 m
Telescopic extension speed	extension 8,55 m / 35 sec	extension 14,25 m / 32 sec
Telescopic boom retraction speed	retraction 8,55 m / 57 sec	retraction 14,25 m / 45 sec
Lifting speed	1 to 76° = 14 sec	1 to 76° = 14 sec
Angle of rotation	360° (continuous)	360° (continuous)
Rotation speed	6,5°/ sec	6,5°/ sec
Working pressure	19,0 MPa	19,0 MPa
Pump capacity	60 l/m	60 l/m
Direct lifting winch	1165 daN	1165 daN
Winch lifting speed	53 meters per minute	53 meters per minute
Extension of stabilisers	min 2285 mm ~ max 5585 mm	min 2285 mm ~ max 5585 mm
Oil tank capacity	130 l with level indicator	130 l with level indicator
Weight of crane with stabilisers	top seat 2890 kg ~ ground-based controls 2850 kg	top seat 3090 kg ~ ground-based controls 3050 kg
Safety device	FX200 load limiter, visual indication of lifting capacity at 90% and 100%, acoustic warning device, overload alarm, hydraulic safety valves, status valves and non-return valves, spirit level indicator	
Column-mounted control seat or ground-based controls		

winch



n = 4 max 4750 kg n = 6 max 7100 kg =Tmax 1165 daN



n = 4 max 4750 kg n = 6 max 7100 kg =Tmax 1165 daN

XR 714	MAX	2	2,5	3	3,5	4	4,5	5	5,5	6	7	8	9	10	11	12	13	14	15	16	17	18	19
①	7100 (1,20)	6300	6020	5320	4470	4215	3100 (4,45)																
②		4300 (1,90)	4300	4300	3965	3570	3250	2985	2755	2540	2080	1620 (7,30)											
③			2400 (2,60)	2400	2400	2400	2400	2400	2400	2300	2005	1765	1540	1020 (10,15)									
④				2200 (3,30)	2200	2200	2200	2200	2200	2190	1905	1690	1510	1360	1220	1075	740						

XR 716	MAX	2	2,5	3	3,5	4	4,5	5	5,5	6	7	8	9	10	11	12	13	14	15	16	17	18	19
①	7100 (1,90)	6805	5820	5120	4575	4085	3555	2775 (4,75)															
②		4100	4100	4100	3785	3390	3070	2805	2575	2370	1960	1385 (7,60)											
③			2100 (2,65)	2100	2100	2100	2100	2100	2100	2100	1820	1580	1365	1120	805 (10,45)								
④				2100 (3,25)	2100	2100	2100	2100	2100	1995	1715	1495	1315	1165	1030	890	715	525 (13,30)					
⑤						2100	2100	2100	2100	1950	1670	1460	1285	1145	1030	925	830	740	640	385 (16,15)			
⑥							2100 (4,70)	2100	2100	1935	1655	1445	1280	1140	1030	930	845	770	700	635	570	490	300

Lifting Tomorrow



LEADER IN INNOVATION



FASSI GRU S.p.A.
Via Roma, 110
24021 Albino (Bergamo) ITALY
Tel- +39 035 776400
Fax +39 035 755020
www.fassi.com
fassigr@fassigr.com

COMPANY WITH
MANAGEMENT SYSTEM
CERTIFIED BY DNV GL
= ISO 9001 =
= ISO 14001 =